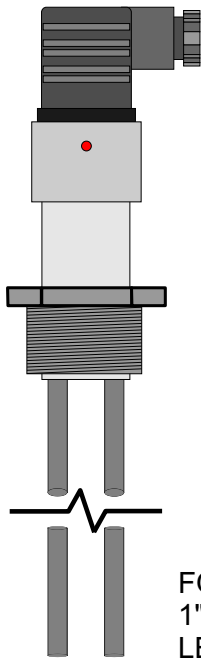
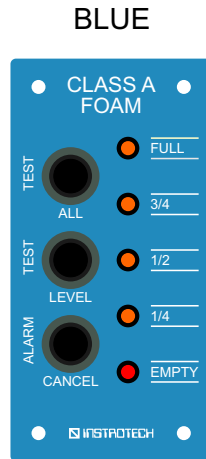


OPERATION Model 1684-SNZ

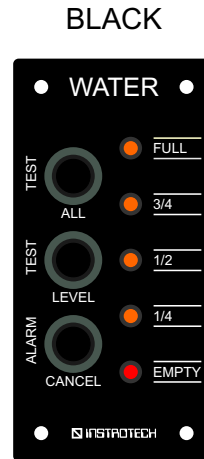
TANK LEVEL INDICATING SYSTEMS



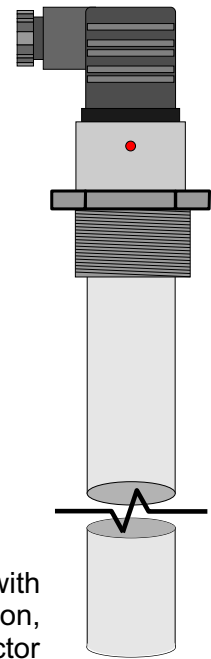
FOAM tank sensor with 1" BSP process connection, LED and DIN plug connector



LED panel mount type displays with momentary test buttons and low level alarm cancel button, having 4 amber LED's and 1 red LED



WATER tank sensor with 1" BSP process connection, LED and DIN plug connector



OPERATING FUNCTIONS:

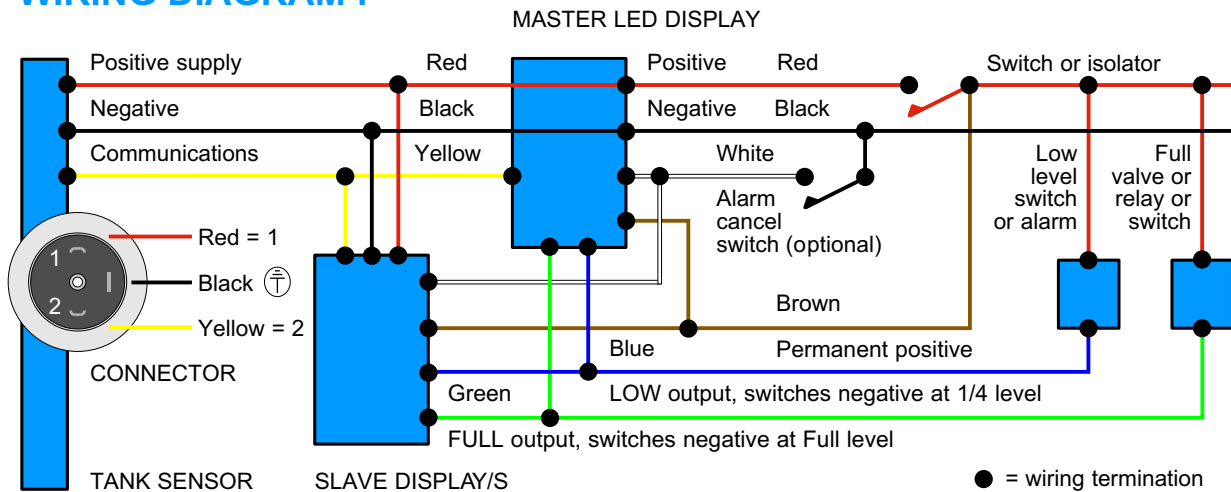
- LED DISPLAYS** 1, 2, 3, 4 or 5 LED's are lit based on the liquid level in the tank. The Empty LED flashes when the liquid tank is empty.
 * All LED's flash if there are wiring or communication faults.
 * The Full and Empty LED's flash alternately if there is a Tank Sensor fault.
- TANK SENSOR** A blinking Tank Sensor LED shows normal communication with the LED Displays.
 * A permanently lit Tank Sensor LED shows power on only without communication.
- LOW ALARM 'ALARM CANCEL'** The Low level alarm switches on when the liquid level drops below the 1/4 level. The Low level alarm output may be cancelled by the momentary Cancel switch.
- FULL OUTPUT** The Full output switches on and remains on when the Full level is reached.
- START-UP** On powering up, the Low level output will switch on and off twice rapidly to indicate that the system is working correctly, after which the LED panels will display the current liquid level.
- 'TEST LEVEL'** The Test Level push-button displays the current liquid level when the system is switched off.
- 'TEST ALL'** The Test All push-button switches on both the Full and Low outputs and displays the current liquid level when the system is switched off. This push-button will also switch on both outputs at any time when pressed.

*** IMPORTANT NOTICE - IF THE TOP AND BOTTOM LED'S OR ALL LED'S AND THE OUTPUTS ARE FLASHING, DO NOT RELY ON THE LEVEL SYSTEM FOR AN INDICATION OF THE LIQUID AVAILABLE SINCE THERE IS A FAULT!**

INSTALLATION Model 1684-SNZ

TANK LEVEL INDICATING SYSTEMS

WIRING DIAGRAM :



INSTALLATION NOTES :

- 1 All units have internal re-settable overcurrent protection so external fuses are not needed.
- 2 Connect the various units of the system as shown in the wiring block diagram above.
- 3 Use interposing relay/s to switch external devices if the current exceeds the 5A rating of the internal solid-state MOSFET switches.
- 4 Wiring to multiple LED Displays, and the Tank Sensor, is made in parallel.
- 5 Ensure a good negative connection to the vehicle body or chassis.
- 6 When first installed and powered up, the Master Display Full LED will flash 10 times while it downloads the level settings from the Tank Sensor - do not interrupt the power while the Master downloads these settings.
- 7 When the Master LED Display indicates the current fluid level after about 10 seconds, switch off the power to the system.
- 8 Switch on the power to the system again, and the Slave LED Display/s will then be initialised.
- 9 The Low level output switches to negative when the liquid drops to the 1/4 level.
- 10 The Full output switches to negative when the liquid rises to the Full level.

WIRING COLOURS :

For the wiring colours as above, refer also to these labels fixed to the back of the LED display housings :

SUPPORT 1800 999 063

Instrotech Australia Pty Ltd
 P O Box 3137
 Newton SA 5074
 email: info@instrotech.com.au
www.instrotech.com.au
Tel: (08) 8337 8033
 Fax +61 8 8337 8656



Negative ground, new or retrofit, full level, low level, never time-out system, with test functions. 1684CFSR circuit V4, and 5-level SPEL firmware 08/2004

INSTROTECH
 Tel 1800 999 063

MODEL 1684-SNZ

MASTER DISPLAY

LED DISPLAY

+12 to 24VDC = Red
 Supply negative = Black
 Communication = Yellow
 Permanent +ve = Brown
 Full level -ve = Green
 Low alarm -ve = Blue
 Alarm cancel = White

TANK PROBE

+12 to 24VDC = Red
 Supply negative = Black
 Communication = Yellow