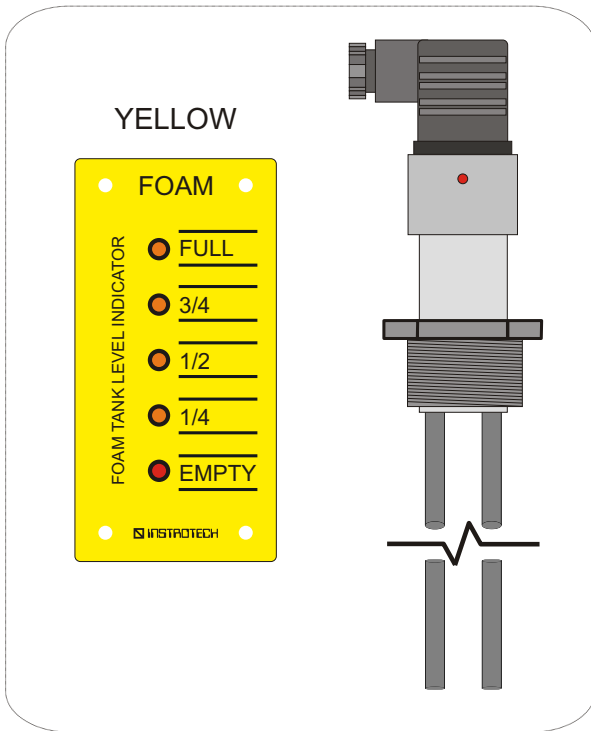
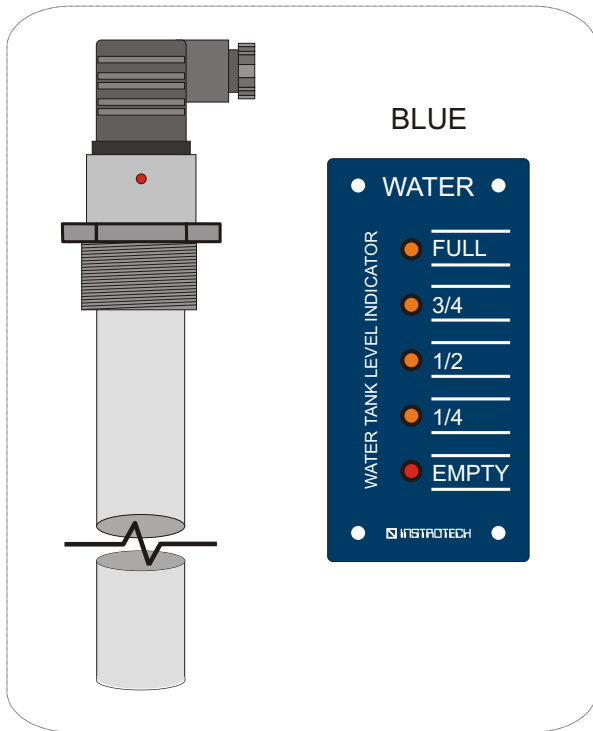


OPERATION CFA Light Pumper

MODEL 1684 TANK LEVEL INDICATING SYSTEMS

PART NO. 1684CAFW

PART NO. 1684CFAB



WATER tank sensor with 1" BSP process connection, LED and DIN plug connector

LED panel-mount displays having 4 amber LED's and 1 red 'Empty' LED

FOAM tank sensor with 1" BSP process connection, LED and DIN plug connector

OPERATING FUNCTIONS:

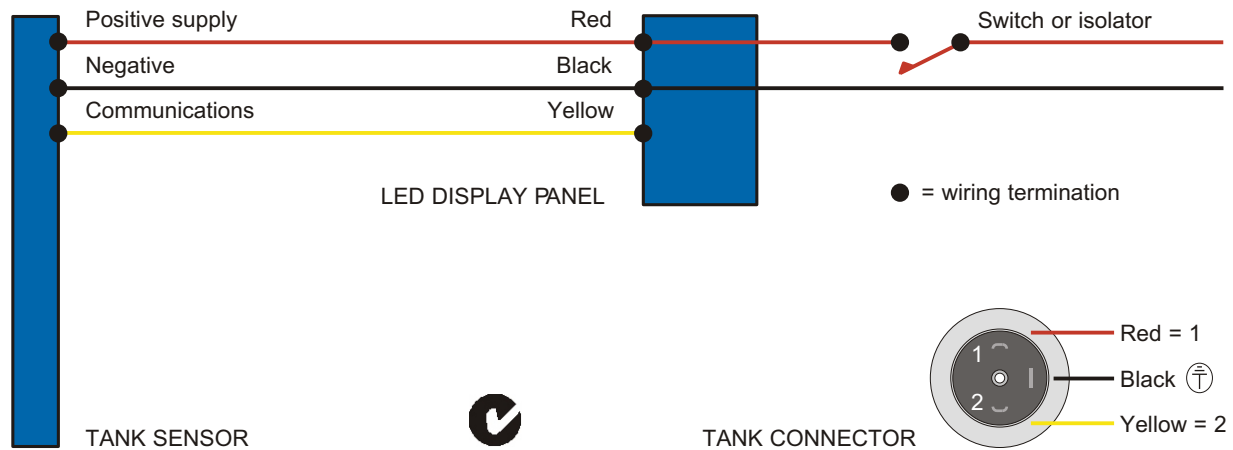
- LED DISPLAYS** 1, 2, 3, 4 or 5 LED's are lit based on the liquid level in the tank. The Empty LED flashes when the liquid tank is empty.
- * All LED's flash if there are wiring or communication faults.
 - * The Full and Empty LED's flash alternately if there is a Tank Sensor fault.
- TANK SENSOR** A blinking Tank Sensor LED shows normal communication with the LED Displays.
- * A permanently lit Tank Sensor LED shows power on only without communication.

*** IMPORTANT NOTICE - IF THE TOP AND BOTTOM LED's OR ALL LED's AND THE OUTPUTS ARE FLASHING, DO NOT RELY ON THE LEVEL SYSTEM FOR AN INDICATION OF THE LIQUID AVAILABLE SINCE THERE IS A FAULT!**

INSTALLATION CFA Light Pumper

MODEL 1684 TANK LEVEL INDICATING SYSTEMS

WIRING DIAGRAM :



INSTALLATION NOTES :

[1684CFAX SINGLE MASTER]

- 1 The Displays have internal re-settable overcurrent protection so external fuses are not needed.
- 2 Connect the parts of the system as show in the wiring block diagram above.
- 3 Wiring to the LED Display Panel and to the Tank Sensor is made in parallel.
- 4 Ensure a good negative connection to the vehicle body or chassis.
- 5 Ensure that all units of the system are terminated to a common positive supply point.
- 6 When *first* installed and powered up the Display Panel top LED will flash 10 times while it downloads the level settings from the Tank Sensor.

Do NOT interrupt the power while the Display Panel reads the Tank Sensor level settings.

- 7 Within 10 seconds the Display Panel LED's will indicate the current liquid level in the tank.

WIRING COLOURS :

For the wiring colours as above refer also to these labels fixed to the back of the LED display housings:

SUPPORT 1800 999 063

Instrotech Australia Pty Ltd
P O Box 3137
Newton SA 5074
email: info@instrotech.com.au
www.instrotech.com.au
Tel (08) 8337 8033
Fax +61 8 8337 8656

INSTROTECH
Tel 1800 999 063

MODEL 1684CFAW

WATER

LED DISPLAY
+12 to 24VDC = Red
Supply negative = Black
Communication = Yellow

TANK SENSOR

1 = +VE
⊕ = -VE
2 = Comm

INSTROTECH
Tel 1800 999 063

MODEL 1684CFAB

CLASS B FOAM

LED DISPLAY
+12 to 24VDC = Red
Supply negative = Black
Communication = Yellow

TANK SENSOR

1 = +VE
⊕ = -VE
2 = Comm