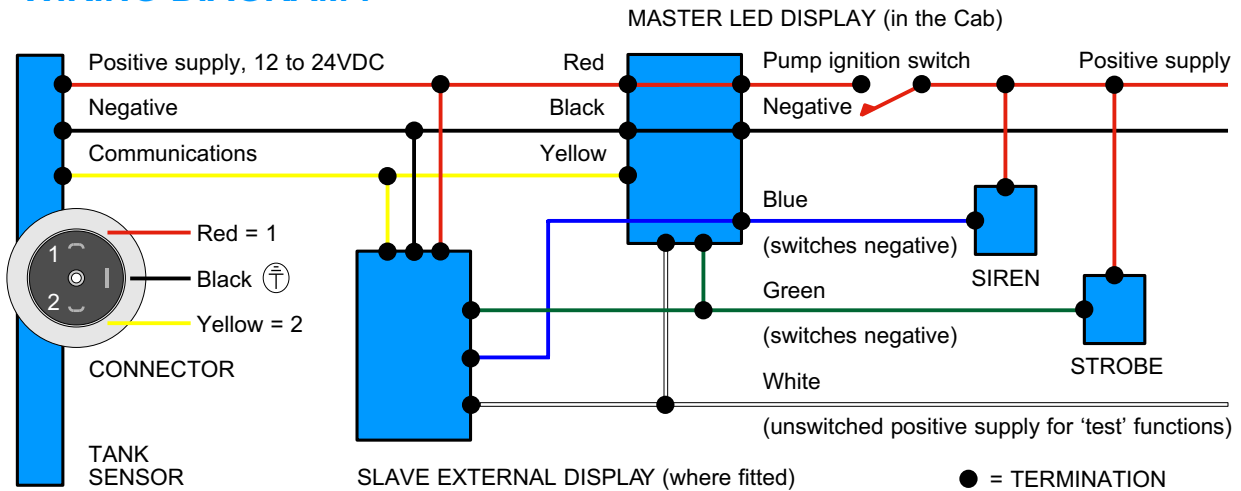


INSTALLATION Model 1684-CFA

CFA WATER TANK LEVEL INDICATING SYSTEM

WIRING DIAGRAM :



INSTALLATION NOTES :

- 1 All Displays and Sensors have internal re-settable over-current and over-voltage protection.
- 2 Connect the various units of the system as shown in the wiring block diagram above.
- 3 The Strobe (visual warning) output switches negative when the water level drops to the 1/4 level.
- 4 The Siren (audible warning) output switches negative when the water level drops to the 1/4 level.
- 5 Wiring to multiple LED Displays, and the Tank Sensor, is made in parallel.
- 6 Ensure a good negative connection to the vehicle body or chassis.
- 7 When first installed and powered up, the Master Display top LED will flash 10 times while it downloads the level settings from the Tank Sensor.
Do NOT interrupt the power while the Master Display reads the Tank Sensor level settings.
- 8 Within 10 seconds, when the Master LED Display indicating the current water level is lit, switch off the power to the system.
- 9 Switch on the power to the system again, and the Slave LED Display will then be initialised.

WIRING COLOURS :

For the wiring colours as above refer also to these labels fixed to the back of the display housings:

ACN 059 798 337



C-Tick EMC / EMI compliant

CFA negative ground new or retrofit 1/4 level 5 second siren warning time-out system, 3/4 level strobe reset, with amber and red LED's, test functions, 1684CFSR circuit and CFA firmware, May 2002

INSTROTECH
Tel 1800 999 063

**MODEL 1684-CFA
MASTER - CAB**

LED DISPLAY
+12 to 24V, sw - Red
Permanent +V - White
Negative - Black
Communication - Yellow
Siren, -ve - Blue
Strobe, -ve - Green

TANK PROBE
+12 to 24VDC - Red
Negative - Black
Communication - Yellow

INSTROTECH
Tel 1800 999 063

**MODEL 1684-CFA
SLAVE - PANEL**

LED DISPLAY
+12 to 24V, sw - Red
Permanent +V - White
Negative - Black
Communication - Yellow
Siren, -ve - Blue
Strobe, -ve - Green

TANK PROBE
+12 to 24VDC - Red
Negative - Black
Communication - Yellow

SUPPORT 1800 999 063

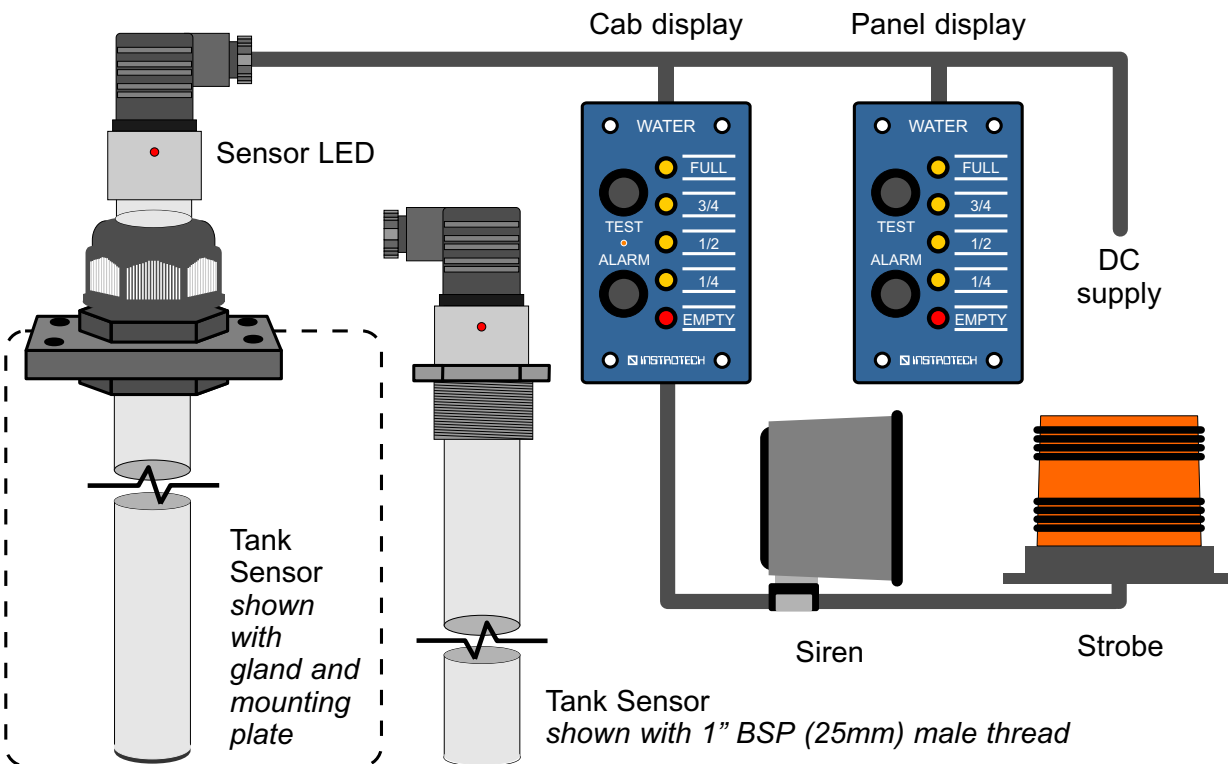
Instrotech Australia Pty Ltd
P O Box 3137
Newton SA 5074
email: info@instrotech.com.au
www.instrotech.com.au
Tel (08) 8337 8033
Fax +61 8 8337 8656

OPERATION

Model 1684-CFA

SUPPORT 1800 999 063

CFA WATER TANK LEVEL INDICATING SYSTEM



OPERATING FUNCTIONS :

LED DISPLAYS

1, 2, 3, 4 or 5 LED's are lit based on the water level in the tank. The Empty LED flashes when the water level drops to below Empty.
 * All LED's flash if there are wiring or communication faults.
 * The top and bottom LED's flash if there is a Tank Sensor fault.
 (Note: The Cab LED Display dims automatically in low light.)

TANK SENSOR

A blinking Tank Sensor LED shows normal communication with the LED Displays.
 * A permanently lit Tank Sensor LED shows power on only without communication.

SIREN Audible warning

The Siren sounds when the water level drops to the 1/4 level and switches off automatically after 5 seconds.
 The Siren warning is only reset when the tank is refilled above the 3/4 level.

STROBE Visual warning

The Strobe warning switches on when the water level drops to the 1/4 level and operates continuously.
 The Strobe continues flashing until the tank is refilled above the 3/4 level.
 * The Strobe flashes if there are wiring or communication faults.

FAILURES

Failure of the Strobe or Siren or associated wiring will not affect the operation of the Tank Sensor nor the LED Displays, since each part is protected separately.

START-UP

On powering up, the Siren will 'beep' and the Strobe will flash to indicate that the system is working correctly, after which it will display the current water level.

*** IMPORTANT NOTICE - IF THE TOP AND BOTTOM LED's OR ALL LED's AND THE STROBE ARE FLASHING AND/OR THE SIREN SOUNDS CONTINUOUSLY, DO NOT RELY ON THE LEVEL SYSTEM FOR AN INDICATION OF THE WATER AVAILABLE SINCE THERE IS A FAULT !**