

LOAD CELL L6T

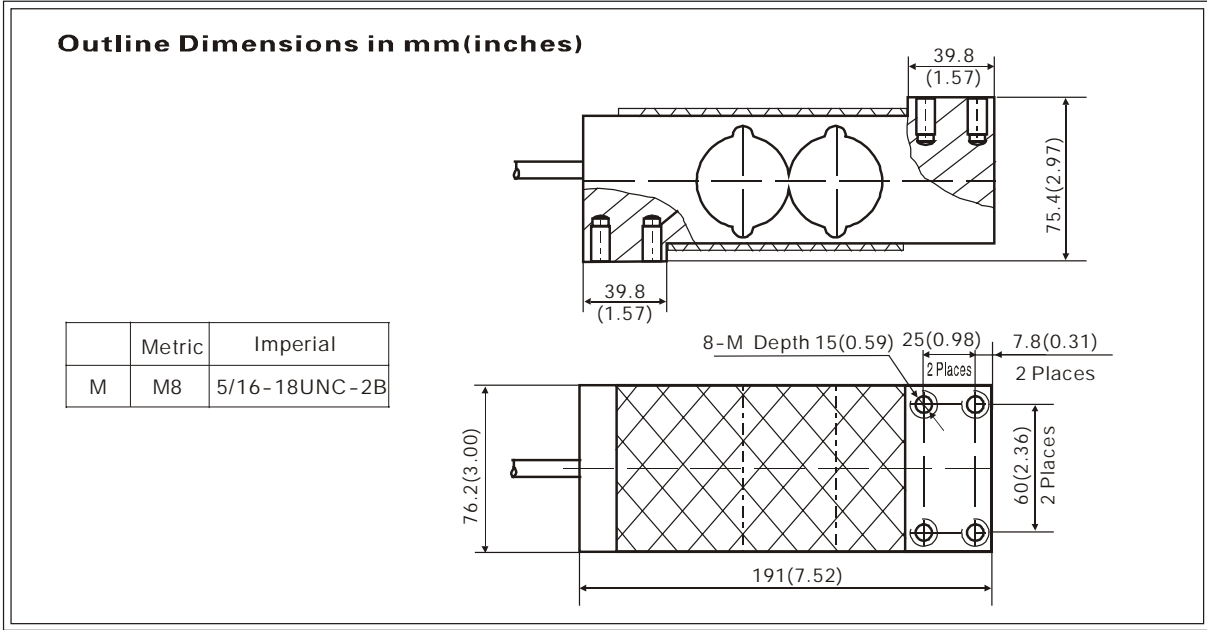


Capacity	Accuracy	Part number	Screw
50kg	C3	L6T-C3-50kg-3B6	Metric
75kg	C3	L6T-C3-75kg-3B6	Metric
100kg	C3	L6T-C3-100kg-3B6	Metric
150kg	C3	L6T-C3-150kg-3B6	Metric
200kg	C3	L6T-C3-200kg-3B6	Metric
250kg	C3	L6T-C3-250kg-3B6	Metric
300kg	C3	L6T-C3-300kg-3B6	Metric
500kg	C3	L6T-C3-500kg-3B6	Metric
635kg	C3	L6T-C3-635kg-3B6	Metric
1000kg	C3	L6T-C3-1000kg-3B6	Metric
50kg	C3	L6T-C3-50kg-3YB6	Imperial
75kg	C3	L6T-C3-75kg-3YB6	Imperial
100kg	C3	L6T-C3-100kg-3YB6	Imperial
150kg	C3	L6T-C3-150kg-3YB6	Imperial
200kg	C3	L6T-C3-200kg-3YB6	Imperial
250kg	C3	L6T-C3-250kg-3YB6	Imperial
300kg	C3	L6T-C3-300kg-3YB6	Imperial
500kg	C3	L6T-C3-500kg-3YB6	Imperial
635kg	C3	L6T-C3-635kg-3YB6	Imperial
1000kg	C3	L6T-C3-1000kg-3YB6	Imperial
100lb	C3	L6T-C3-100-3B6	Metric
250lb	C3	L6T-C3-250-3B6	Metric
400lb	C3	L6T-C3-400-3B6	Metric
500lb	C3	L6T-C3-500-3B6	Metric
700lb	C3	L6T-C3-700-3B6	Metric
1Klb	C3	L6T-C3-1K-3B6	Metric
100lb	C3	L6T-C3-100-3YB6	Imperial
250lb	C3	L6T-C3-250-3YB6	Imperial
400lb	C3	L6T-C3-400-3YB6	Imperial
500lb	C3	L6T-C3-500-3YB6	Imperial
700lb	C3	L6T-C3-700-3YB6	Imperial
1Klb	C3	L6T-C3-1K-3YB6	Imperial



Specifications			
Accuracy Class	OIML R60 C3	Temperature effect on span (%FS/10)	0.014
Rated output (mV/V)	2.0 ± 0.2	Temperature effect on zero (%FS/10)	0.017
Combined error (%FS)	0.02	Temperature, compensated ()	-10~+40
Non-linearity (%FS)	0.017	Temperature, Operating ()	-35~+65
Non-repeatability (%FS)	0.01	Excitation, Recommended (V)	5~12(DC)
Creep (%FS/30min)	0.02	Excitation, Max. (V)	18(DC)
Input Resistance ()	409 ± 6	Safe Overload (%FS)	150
Output Resistance ()	350 ± 3	Ultimate Overload (%FS)	300
Insulation Resistance (M)	5000(50VDC)	Protection Class	IP 65
Zero Balance (%FS)	2.0	Cable Length (m)	3
Off center load error (% , per OIML R76)	0.02	Cable spec	6-wire shielded cable 5mm

Connections Red Input(+) Black Input(-) Green Output(+) White Output(-)
Blue Sense(+) Brown Sense(-) Transparence (shield)



Single Point