



S-beam, alloy steel, tension or compression applications. Suitable for hanging scales, mechanical conversion scales, hopper scales and other electronic weighing devices.

Weighing Assembly Available-See Model HL-3 series on page 79 and 80.

Capacity Accuracy Part number

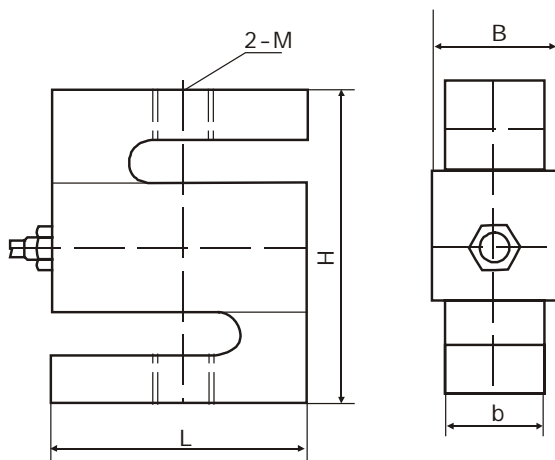
| | | |
|--------|-----|------------------|
| 50kg | C3 | H3G-C3-50kg-6B |
| 100kg | C3 | H3G-C3-100kg-6B |
| 250kg | C3 | H3G-C3-250kg-6B |
| 500kg | C3 | H3G-C3-500kg-6B |
| 1.0t | C3 | H3G-C3-1.0t-6B |
| 2.5t | C3 | H3G-C3-2.5t-6B |
| 5.0t | C3 | H3G-C3-5.0t-6B |
| 7.5t | C3 | H3G-C3-7.5t-6B |
| 50 lb | N3 | H3G-N3-50-6YB |
| 75 lb | N10 | H3G-N10-75-6YB |
| 100 lb | N10 | H3G-N10-100-6YB |
| 150 lb | N10 | H3G-N10-150-6YB |
| 200 lb | N10 | H3G-N10-200-6YB |
| 250 lb | N10 | H3G-N10-250-6YB |
| 300 lb | N10 | H3G-N10-300-6YB |
| 500 lb | N10 | H3G-N10-500-6YB |
| 750 lb | N10 | H3G-N10-750-6YB |
| 1Klb | N10 | H3G-N10-1K-6YB |
| 1.5Klb | N10 | H3G-N10-1.5K-6YB |
| 2Klb | N10 | H3G-N10-2K-6YB |
| 2.5Klb | N10 | H3G-N10-2.5K-6YB |
| 3Klb | N10 | H3G-N10-3K-6YB |
| 5Klb | N10 | H3G-N10-5K-6YB |
| 10Klb | N10 | H3G-N10-10K-6YB |
| 15Klb | N3 | H3G-N3-15K-6YB |
| 20Klb | N3 | H3G-N3-20K-6YB |

Specifications

| | | | | | | |
|---------------------------------------|--------------|------|----|---------------------------------------|-------------------------------|------|
| Accuracy Class | C3 | N10 | N3 | Temperature effect on zero (%FS/10°C) | 0.017 | 0.02 |
| Rated output (mV/V) | 3.0±0.008 | | | Temperature, Compensated (°C) | -10~+40 | |
| Combined error (%FS) | 0.02 | 0.03 | | Temperature, Operating (°C) | -35~+65 | |
| Non-linearity (%FS) | 0.02 | 0.03 | | Excitation, Recommended (V) | 5~12(DC) | |
| Non-repeatability (%FS) | 0.01 | | | Excitation, Max.(V) | 18(DC) | |
| Creep (%FS/30min) | 0.02 | 0.03 | | Safe Overload (%FS) | 150 | |
| Input Resistance (Ω) | 430±60 | | | Ultimate Overload (%FS) | 300 | |
| Output Resistance (Ω) | 350±3.5 | | | Protection Class | IP 67 | |
| Insulation Resistance (MΩ) | ≥5000(50VDC) | | | Cable Length (m) | 6 | |
| Zero Balance (%FS) | 1.0 | | | Cable spec | 4-wire shielded PU cable φ5mm | |
| Temperature effect on span (%FS/10°C) | 0.014 | 0.02 | | | | |

Connections Red Input(+) Black Input(-) Green Output(+) White Output(-) Transparence (Shield)

Outline Dimensions in mm(inches)



| Capacity | Dimensions | | | | |
|------------------------------|-----------------|-----------------|-----------------|-----------------|----------------------|
| | L | H | b | B | M |
| 50kg,100kg (0.05-0.3Klb) | 50.8 (2.00) | 63.5 (2.50) | 12.7 (0.50) | 16.08 (0.63) | M8 1/4-28UNF |
| 250kg,500kg (0.05-1.5Klb) | 50.8 (2.00) | 63.5 (2.50) | 19.05 (0.75) | 22.43 (0.88) | M12 1/2-20UNF |
| 1t (2, 2.5Klb) | 50.8 (2.00) | 63.5 (2.50) | 25.4 (1.00) | 28.78 (1.13) | M12 1/2-20UNF |
| 2.5t (3Klb) | 76.2 (3.00) | 101.6 (4.00) | 25.4 (1.00) | 28.78 (1.13) | M20×1.5 1/2-20UNF |
| 5t (5,10Klb) | 76.2 (3.00) | 101.6 (4.00) | 25.4 (1.00) | 28.78 (1.13) | M20×1.5 3/4-16UNF |
| 7.5t (15Klb) | 101.6 (4.00) | 139.7 (5.50) | 31.75 (1.25) | 35.13 (1.38) | M24×2 1-14UNF |
| 20Klb | 127 (5.00) | 177.8 (7.00) | 50.8 (2.00) | 54.18 (2.13) | 5/4-12UNF |