

Capacity	Accuracy	Part number
6kg	C3	BM6A-C3-6kg-6B6
12kg	C3	BM6A-C3-12kg-6B6
30kg	C3	BM6A-C3-30kg-6B6
60kg	C3	BM6A-C3-60kg-6B6



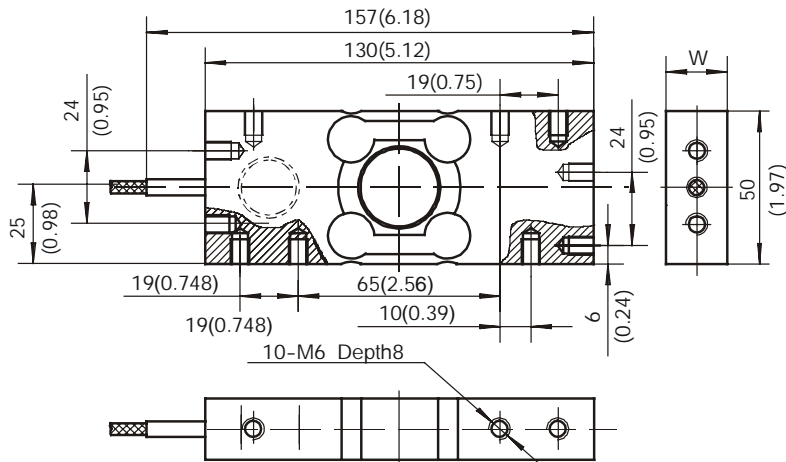
17-4PH stainless steel, welding-sealed.
Suitable for electronic weighing and measuring equipments like platform scales, belt scales, packaging scales, etc.

Specifications

Accuracy Class	C3	Temperature effect on span (%FS/10 °C)	0.014
Rated output (mV/V)	2.0 ± 0.2	Temperature effect on zero (%FS/10 °C)	0.017
Combined error (%FS)	0.02	Temperature, Compensated (°C)	-10~+40
Non-linearity (%FS)	0.017	Temperature, Operating (°C)	-35~+65
Non-repeatability (%FS)	0.01	Excitation, Recommended (V)	5-12(DC)
Creep (%FS/30min)	0.02	Excitation, Max. (V)	18(DC)
Input Resistance (Ω)	400 ± 20	Safe Overload (%FS)	150
Output Resistance (Ω)	350 ± 3.5	Ultimate Overload (%FS)	300
Insulation Resistance (M Ω)	5000(50VDC)	Protection Class	IP68
Zero Balance (%FS)	1.0	Cable Length (m)	6
Off center load error (% , per OIML R76)	0.02	Cable spec	6-wire shielded PU cable

Connections Green Input (+) Black Input (-) White Output(+) Red Output(-)
Yellow Sense (+) Blue Sense (-) Transparence (shield)

Outline Dimensions in mm(inches)



Capacity	W
6kg	18.5(0.73)
12kg	18.5(0.73)
30kg	18.5(0.73)
60kg	23.5(0.93)