

KSR SINGLE COLUMN COMPRESSION CELL



DESCRIPTION:

The KSR is a sealed, single column, compression load cell.

This product is suitable for high capacity platform scales and level control or process weighing in general.

A reliable sealing and mechanical protection of the strain gauge area is ensured by the use of stainless steel diaphragms and a housing which are cemented to the measuring element.

FEATURES:

- 4 Low profile design
- 4 Sealing: IP66 (EN 60.529)
- 4 Trimmed output ensures easy and accurate parallel connection of multiple load cells
- 4 Specially designed mounting arrangements are available for vessel weighing
- 4 **Rated capacity: 6 --280t**

KSR: SPECIFICATIONS

Standard Capacities (= E _{max})	t	6, 13, 28, 60, 130, 280	
Accuracy According to Type Designation		R2	R1
Combined Error	%S	#"0.2000	#"0.1000
Hysteresis	%S	#"0.1000	#"0.0500
Minimum Dead Load Output Return ¹	%S	#"0.0700	#"0.0500
Creep Error (30 minutes) ¹	%S	#"0.0800	#"0.0600
Creep Error (20 - 30 minutes) ¹	%S	#"0.0200	#"0.0150
Temperature Effect on Min. Dead Load Output.	%S/5°C	#"0.2500	#"0.2500
Temperature Effect on Sensitivity	%S/5°C	#"0.2500	#"0.2500
Minimum Dead Load	%E _{max}	0	
Maximum Safe Overload	%E _{max}	120	
Ultimate Overload (static and dynamic)	%E _{max}	300	
Maximum Safe Side Load	%E _{max}	10	
Deflection at E _{max}	mm	0.35/ 0.53/ 0.80/ 1.22/ 1.85/ 2.67	
Excitation Voltage	V	5612	
Maximum Excitation Voltage	V	15	
Rated Output (= S)	mV/V	1.5 "0.008	
Zero Balance	%S	#"1.5	
Input Resistance	Ω	"275	
Output Resistance	Ω	245 " 0.2	
Insulation Resistance	MΩ	\$50	
Compensated Temperature Range	°C	-10...+ 60	
Operating Temperature Range	°C	-20...+ 70	
Storage Temperature Range	°C	-30...+ 80	
Housing		Tool steel, Epoxy coated, stainless steel diaphragms	
Sealing (EN 60.529 / IEC 529)		IP66	

¹ Applies for the temperature range -10 to +60°C

The correct mounting of the load cells is essential to ensure optimum performance. Cable length 10m (6t version: 5m). Cable screen is not connected to load cell body.

Further information is available on request.

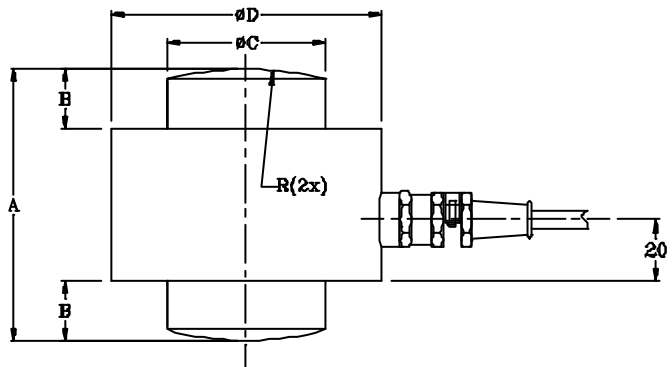
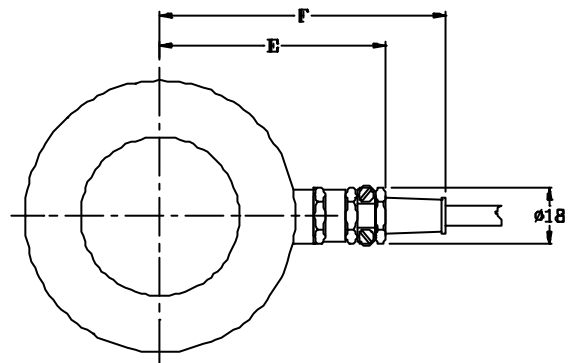
Wiring:

Excitation + Red
 Excitation - White
 Output + Black
 Output - Blue
 Shield Transparent / Yellow

Attention:

Dimensions: mm.
 All dimension tolerances according to DIN 7168;
 middle accuracy unless otherwise specified.

All specifications subject to change without notice



Instrotech Australia Pty Ltd
 PO Box 3137
 Newton SA 5074
 Tel.: + 61 8 8337 8033
 Fax.: + 61 8 8337 8656
 Email: sales@instrotech.com.au

E _{max}	6	13	28	60	130	280
A	56	68	74	90	116	170
B	8	12	14	20	26	45
C	16.7	24.5	36.0	52.7	77.5	114
D	45	55	64	90	121	165
E	52.5	57.5	62.0	75.0	90.5	112.5
F	71.5	76.5	81	94	109.5	131.5
R	50	66	72	100	125	183