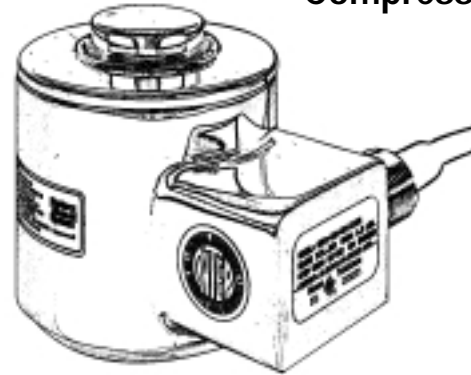


- **Stainless steel construction**
- **Hermetic seal to IP68**
- **Weighing assembly available**
- **3-year warranty**



specifications

Accuracy Class	D3 (Commercial)
Capacity (lb)	10K ² , 25K, 50K, 100K, 200K, 300K
Rated Output (mV/V)	1.75 mV/V
Combined Error (%FS) ¹	0.15
Non-repeatability (%FS)	0.03
Operating Temp. Range	-65 to 200°F
Comp. Temp. Range	14 to 104°F
Temperature Sensitivity:	
Output (%Load/°F)	0.005
Zero Balance (%Load/°F)	0.005

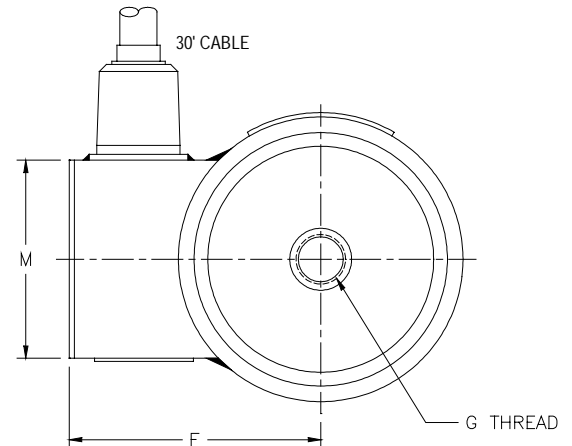
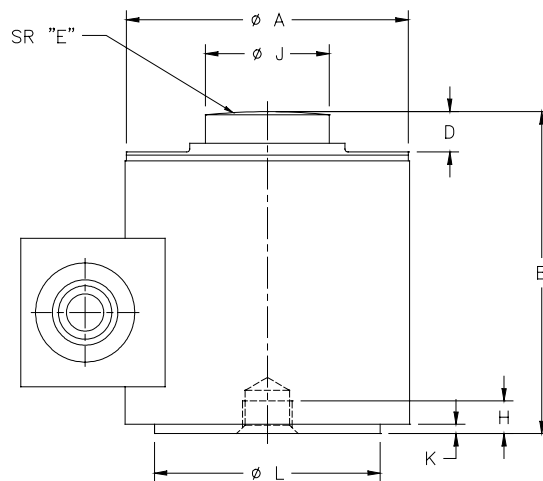
Accuracy Class	D3 (Commercial)
Weight (lb)	6.0 (10K-50K); 14.0 (100K); 38.0 (200K-300K)
Zero Balance (%FS)	2.0
Input Resistance(ohms min.)	450±5.0
Output Resistance(ohms)	480±5.0
Safe Overload (%FS)	150
Ultimate Overload (%FS)	300
Safe Sideload (%FS)	10
Excitation Voltage (VDC)	10 Nom, 15 Max
Insulation Resistance	5000 meg-ohm

(1) Includes effects of nonlinearity and hysteresis.

NOTE: Specifications subject to change. Request certified drawings prior to designing mountings or fixtures.

Electrical Connection

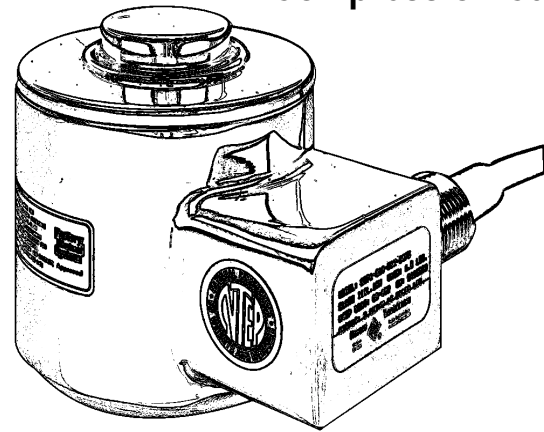
+ Excitation	Green
- Excitation	Black
+ Signal	White
- Signal	Red
Shield	Orange



Dimensions in inches.

Capacity (lb)	ØA	B	D	E RAD	F	G	H	ØJ	K	ØL	M	N	SR E
10K, 25K, 50K	2.88	3.25	0.32	6.00	2.49	1/2-20 UNF-2B	0.33	1.25	0.09	2.28	2.00	1.25	6.0
100K	4.12	5.02	0.32	6.00	3.11	3/4-16 UNF-2B	0.50	2.31	0.45	3.25	2.00	2.31	6.0
200K, 300K	5.95	7.25	0.32	6.00	4.21	3/4-16 UNF-2B	0.75	3.13	0.86	4.88	2.00	3.13	17.0

- **Stainless steel construction**
- **Hermetic seal to IP68**
- **Weighing assembly available**
- **3-year warranty**



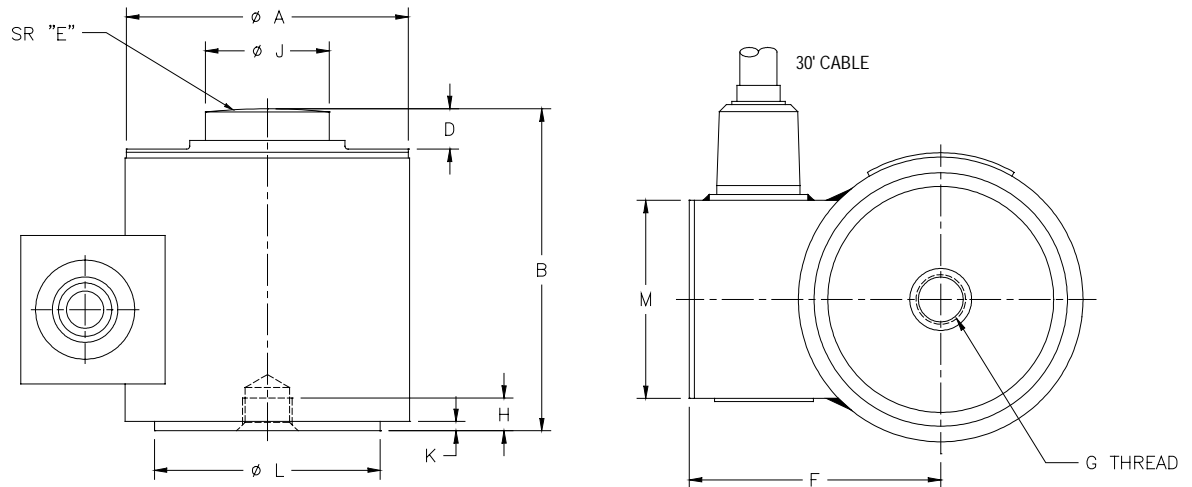
specifications

Accuracy Class	D3 (Commercial)	B10 (NTEP Class III, 10d)	Accuracy Class	D3 (Commercial)	B10 (NTEP Class III, 10d)
Capacity (lb)	10K ² , 25K, 50K, 100K, 200K, 300K ²		Weight (lb)	6.0 (10K-50K); 14.0 (100K); 38.0 (200K-300K)	
Rated Output (mV/V)	2 mV/V		Zero Balance (%FS)	1.0	
Combined Error (%FS) ¹	0.05	0.02	Input Resistance(ohms min.)	450±5.0	
Non-repeatability (%FS)	0.01		Output Resistance(ohms)	480±5.0	
Operating Temp. Range	-65 to 200°F		Safe Overload (%FS)	150	
Comp. Temp. Range	14 to 104°F		Ultimate Overload (%FS)	300	
Temperature Sensitivity:			Safe Sideload (%FS)	10	
Output (%Load/°F)	0.0008		Excitation Voltage (VDC)	10 Nom, 15 Max	
Zero Balance (%Load/°F)	0.0015	0.0008	Insulation Resistance	5000 meg-ohm	

(1) Includes effects of nonlinearity and hysteresis. (2) Available in D3 only. NOTE: Specifications subject to change. Request certified drawings prior to designing mountings or fixtures.

Electrical Connection

+ Excitation	Green
- Excitation	Black
+ Signal	White
- Signal	Red
Shield	Orange



Dimensions in inches.

Capacity (lb)	ØA	B	D	E RAD	F	G	H	ØJ	K	ØL	M	N	SR E
10K, 25K, 50K	2.88	3.25	0.32	6.00	2.49	1/2-20 UNF-2B	0.33	1.25	0.09	2.28	2.00	1.25	6.0
100K	4.12	5.02	0.32	6.00	3.11	3/4-16 UNF-2B	0.50	2.31	0.45	3.25	2.00	2.31	6.0
200K, 300K	5.95	7.25	0.32	6.00	4.21	3/4-16 UNF-2B	0.75	3.13	0.86	4.88	2.00	3.13	17.0