

The BM24R Tank-mount together with the BM24R product family provide a low profile weighing assembly suitable for process control, batch weighing, silo / hoppers and belt scale applications.

The stainless steel design with rocker-pin load introduction guarantees long term reliability even in the most harsh environments.

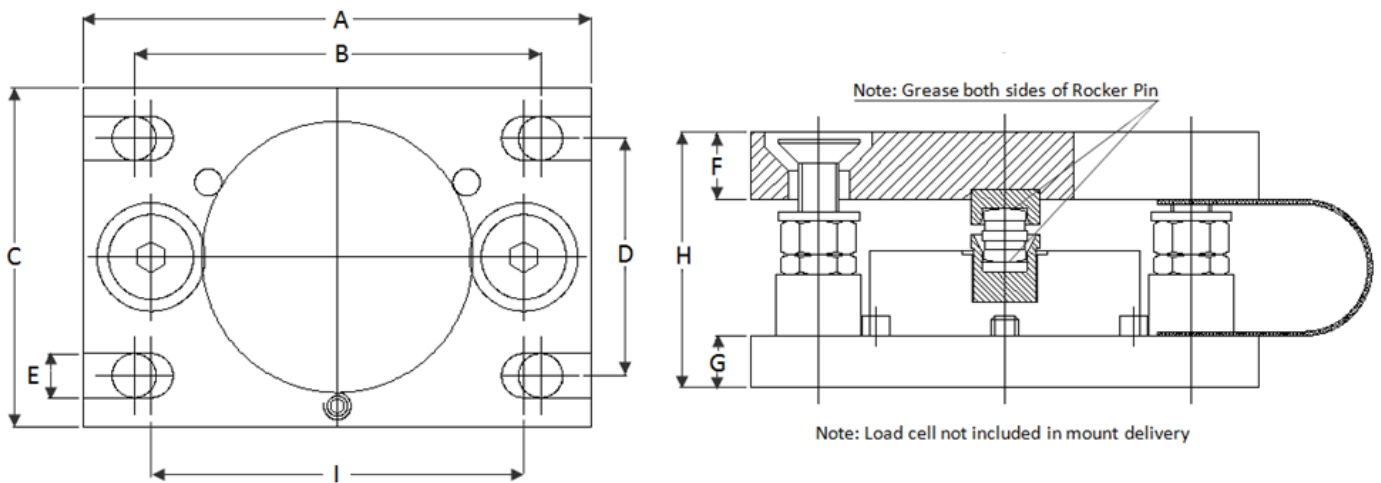
The mount design tolerates controlled movements in all directions, it eliminates the need for check rods unless major load movement is anticipated. The design allows the load cell to be placed or replaced after installation of the mount.

### Mount Specification:

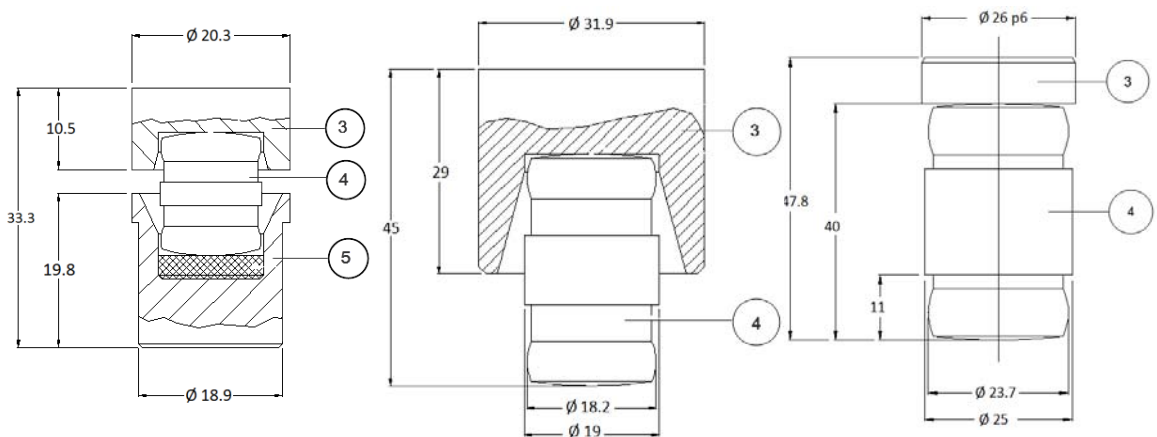
Model number		BM-24-401	BM-24-402	BM24-403
Part number		2240010	2240020	2240030
Capacity		0.25t – 1t	2t – 5t	10t – 13t
Maximum vertical force without load cell	KN	15	30	50
Maximum lift off force	KN	10	20	30
Maximum horizontal force in all directions	KN	5	10	20
Maximum horizontal movement	mm	± 3	± 3	± 3
Installation height	mm	80	105	117
Working height	mm	75	100	110

## Outline Dimensions in mm

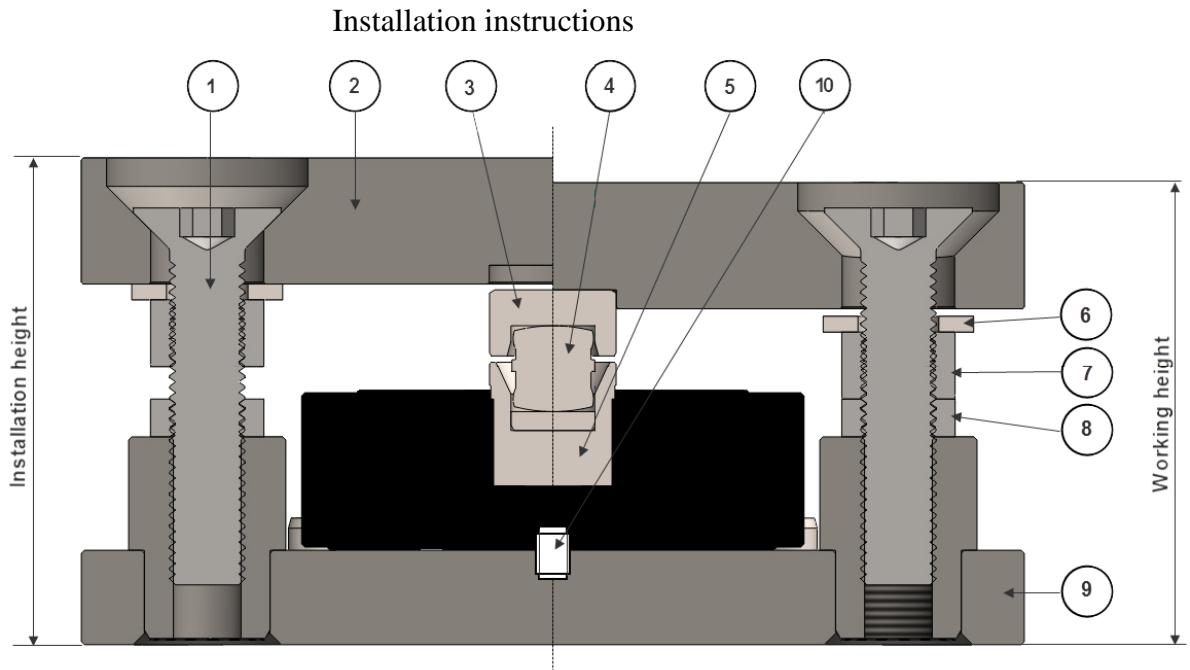
Capacity	A	B	C	D	E	F	G	H	I
0.25t – 1t	150	120	100	70	Ø 14	20	15	75	110
2t – 5t	160	120	110	70	Ø 16	20	20	100	N/A
10t – 13t	210	175	120	85	Ø 18	25	20	110	N/A



## Rocker pin sets (are part of the mount delivery)



Capacity	0.25t – 1t	2t – 5t	10t – 13t
Model number	BM-24-401-Z2	BM-24-402-Z2	BM-24-403-Z3
Part number	2240011	2240021	2240031



The assembly guidelines should be read carefully in order to ensure a correct installation and safe operation.

1. The mount should be installed without the BM24R Load Cell present in the mount.
2. Set the mount to the installation height by adjusting the bolt (item 1) and nut (item 7). The top plate (item 2) should be parallel to the base plate (item 9) and locked between the bolt and nut (items 1 and 6).
3. Lock the bolt (item 1) to the base plate (item 9) by tightening nut (item 8) to the base (item 9).
4. Install the mount in the application and secure the top and base plate with the mounting holes. (Only the mount for capacities 0,25t till 1t has slotted holes in the top plate). Make sure that there are no horizontal forces introduced when installing the mount in the application.
5. Remove set screw (item 10) from the mount.
6. Take the BM24R and install the rocker pin set in the load cell. Before you install the rocker pin set in the capacities from 0,25t to 1t, you have to remove the counterpart (delivered with the load cell) from the load cell first. For these capacities you install the lower house (item 5) first in the load cell. For all other capacities you check if the counterpart (delivered with the load cell) is properly installed. Now apply some high pressure grease to the top and bottom surfaces of the rocker pin (item 4) and put it in the load cell. Now you can put the upper house (item 3) on top of the rocker pin. For the 10t and 13t capacities is Item 3 already installed in the top plate of the mount.
7. Slide the load cell with rocker pin set into the mount and re-install the set screw (item 10) what will center the load cell in the mount.
8. You can start lowering the top plate (item 2) now by turning the nuts (item 6) one by one half a turn down. When more mounts are installed in the same application all nuts (item 6) should be lowered simultaneously to ensure a good vertical movement of the entire application. During this process you have to make sure that the upper house (for the 10t – 13t it is the rocker pin) will slight correctly in the reception hole in the top plate.
9. The installation is now ready to use.