

# MODEL 2450 LED Exd COUNTS INDICATOR

**Model 2450** is a counts indicator for pulse or frequency inputs in a compact explosion proof enclosure. The LED display may have up to 5 x 14.2mm high digits or 2 x 25mm high digits.

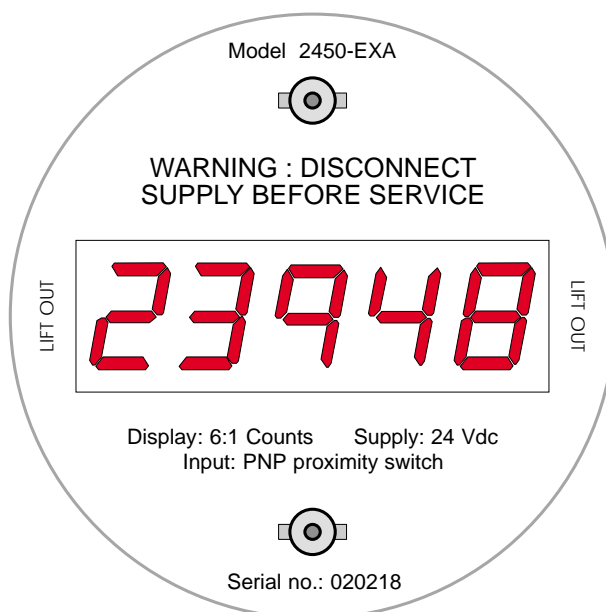
The input signals may be from potential free inputs such as contact closures, or from NPN or PNP sensors. The counts factor is factory programmed and should be specified when ordering. Decimal points are jumper link selectable under the display PCB.

The top display board may be rotated through 90° steps in relation to the bottom termination and power supply board. This feature allows for the housing to be mounted in different orientations to facilitate easy cable entry, and for the display to be read horizontally. Terminations may be made prior to fitting the display board into the housing which makes for very simple wiring access.

These displays may have an AC or DC Auxiliary Power Supply with integral sensor excitation.

## Features

- ☑ AC or DC SUPPLY POWER
- ☑ 5 x 14.2mm HIGH DIGITS
- ☑ or 2 x 25mm HIGH DIGITS
- ☑ COUNTS FACTOR TO SUIT
- ☑ EASY TO INSTALL



*Facia, full size*

## SPECIFICATIONS :

INPUT	NPN, PNP, generated voltage, or potential free contact
INPUT LEVEL	5 to 24V pulse amplitude, unipolar or bipolar
FREQUENCY	15KHz maximum range
DISPLAY	5 x 14.2mm high LED digits or 2 x 25mm high LED digits
COUNT FACTOR	Factory programmable for any divisor or multiplier
DECIMAL POINT	Link selectable by jumper under display PCB
OPERATING TEMP.	-10 to +50°C
STORAGE TEMP.	-20 to +70°C
POWER SUPPLY	5, 12, 24VDC (or other DC up to 110), or 110 or 240VAC

## GUARANTEE :

This product is guaranteed against faulty workmanship or defective material, for a period of 3 (three) years from the date of delivery by INSTROTECH.

INSTROTECH undertakes to replace without charge all defective equipment which is returned during the period of guarantee (transportation costs prepaid) provided there is no evidence that the equipment has been abused or mishandled in any way.

In the interests of continuous product improvement, INSTROTECH reserves the right to alter any specification without prior notice.

 **INSTROTECH**

**Instrotech Australia Pty Ltd**  
P O Box 3137  
Newton SA 5074  
[www.instrotech.com.au](http://www.instrotech.com.au)  
[sales@instrotech.com.au](mailto:sales@instrotech.com.au)

**Tel (08) 8337 8033**  
**Fax +61 8 8337 8656**

**SETTINGS AND TERMINATIONS: MODEL 2450**

**INPUT TERMINATIONS:**

**NPN inputs**

Use terminals [-] [+] [I]

**PNP inputs**

Use terminals [-] [+] [I]

**Contact closures**

Use terminals [-] [I]

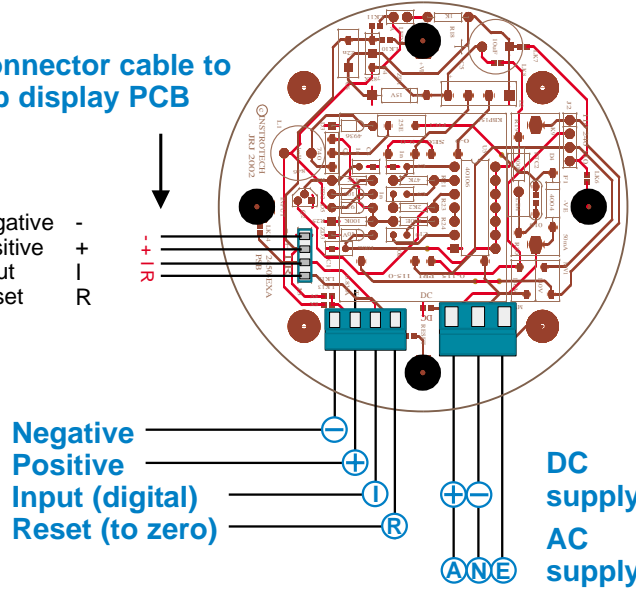
**Reset (potential free)**

Use terminals [-] [R]

Connector cable to top display PCB

Negative -  
Positive +  
Input I  
Reset R

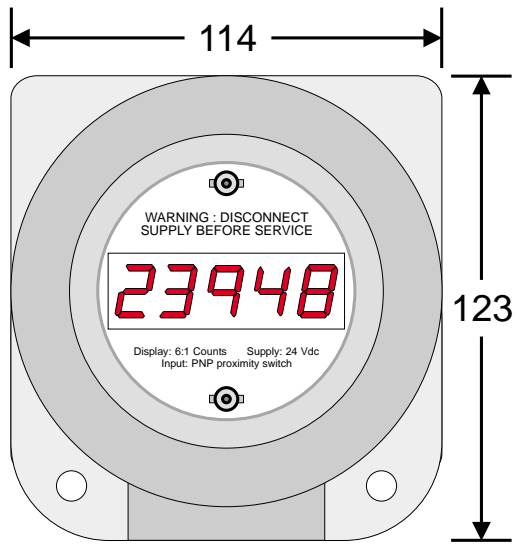
**Bottom terminal board**



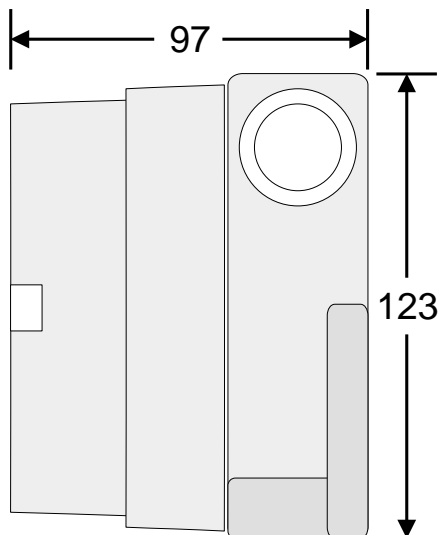
Negative  
Positive  
Input (digital)  
Reset (to zero)

DC supply  
AC supply

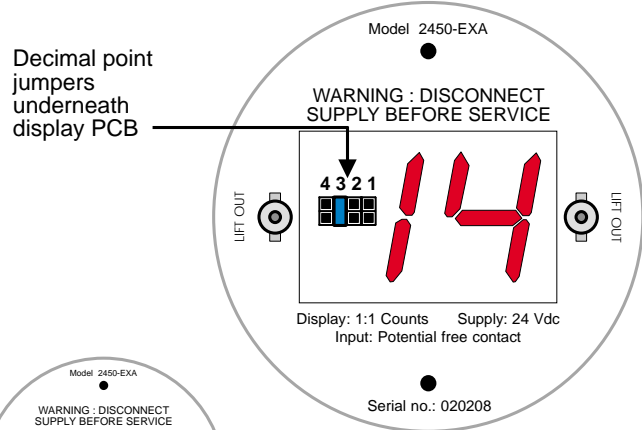
**HOUSING DIMENSIONS:**



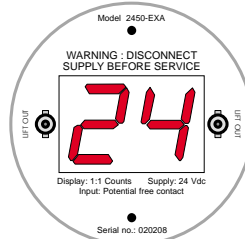
2 x 8mm (<sup>5</sup>/<sub>16</sub>" ) diameter fixing holes at 83mm (3<sup>1</sup>/<sub>4</sub>" ) centres and 67mm (2<sup>5</sup>/<sub>8</sub>" ) diameter window



**Top display board**



**Display PCB rotated**



Class I  
Groups B, C, D  
Class II  
Groups E, F, G  
Class III  
CENELEC EExD IIC, IP66, NEMA 4X, 7BCD, 9EFG  
Adalet blue explosion proof instrument housing type  
XIHFGCX2L (2 x 1/2" NPT hubs) or XIHFGCX3L (3/4")

**NOTE: CHECK LOCAL INSTALLATION STANDARDS**